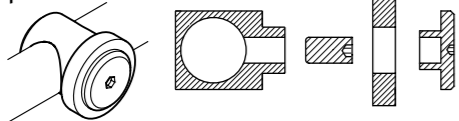


1 Set sliding door fittings **Flatec IV**

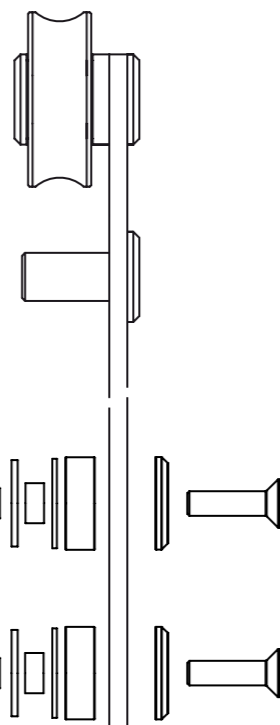
2 Guide rail



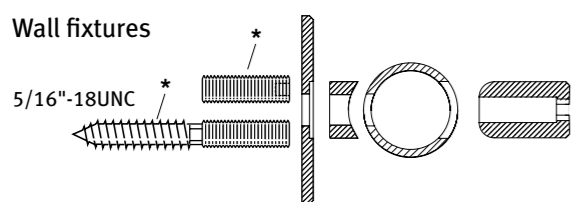
3 Door stoppers



4 Trolley complete



5 Wall fixtures



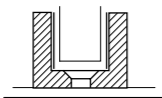
(without screws and dowels, at construction site)
* not included in scope of delivery.

6 Special tool



7 Bottom guide

(without screws and dowels, at construction site)



- Attention
- Screw on
- Screw on
- Screw on
- Loosen/Tighten
- Install
- At right angle
- Drill
- Dowels
- Adjust Set
- Level
- Perpendicular
- Measure Mark
- Visual inspection
- Special-tool
- 2 people required
- Measure
- Clarify questions
- See Instructions
- Secure

Comply with all general safety regulations when installing the sliding door fittings!

Installation to be completed by qualified licensed contractor.

Be sure to tighten all screw connections one week after starting to use the sliding door fittings!

Never use scouring agents to clean the sliding door fittings; rather use commercially available stainless-steel cleaners!

Set Flatec IV	Set /Each					
1 Art. No.	2	3	4	5	6	7
USU94-1800EF	1	2	2	4	1	1
USU94-2100EF	1	2	2	4	1	1
USU94-2300EF	1	2	2	5	1	1
USU94-2540EF	1	2	2	5	1	1

Also valid for polished version USU94-...EP

Beyerle US L.L.C., ABP-Byerle it's subsidiaries and agents are not responsible or liable for damage or injury to any persons or property due to improper installation of it's products. All liabilities reside solely with the installer.

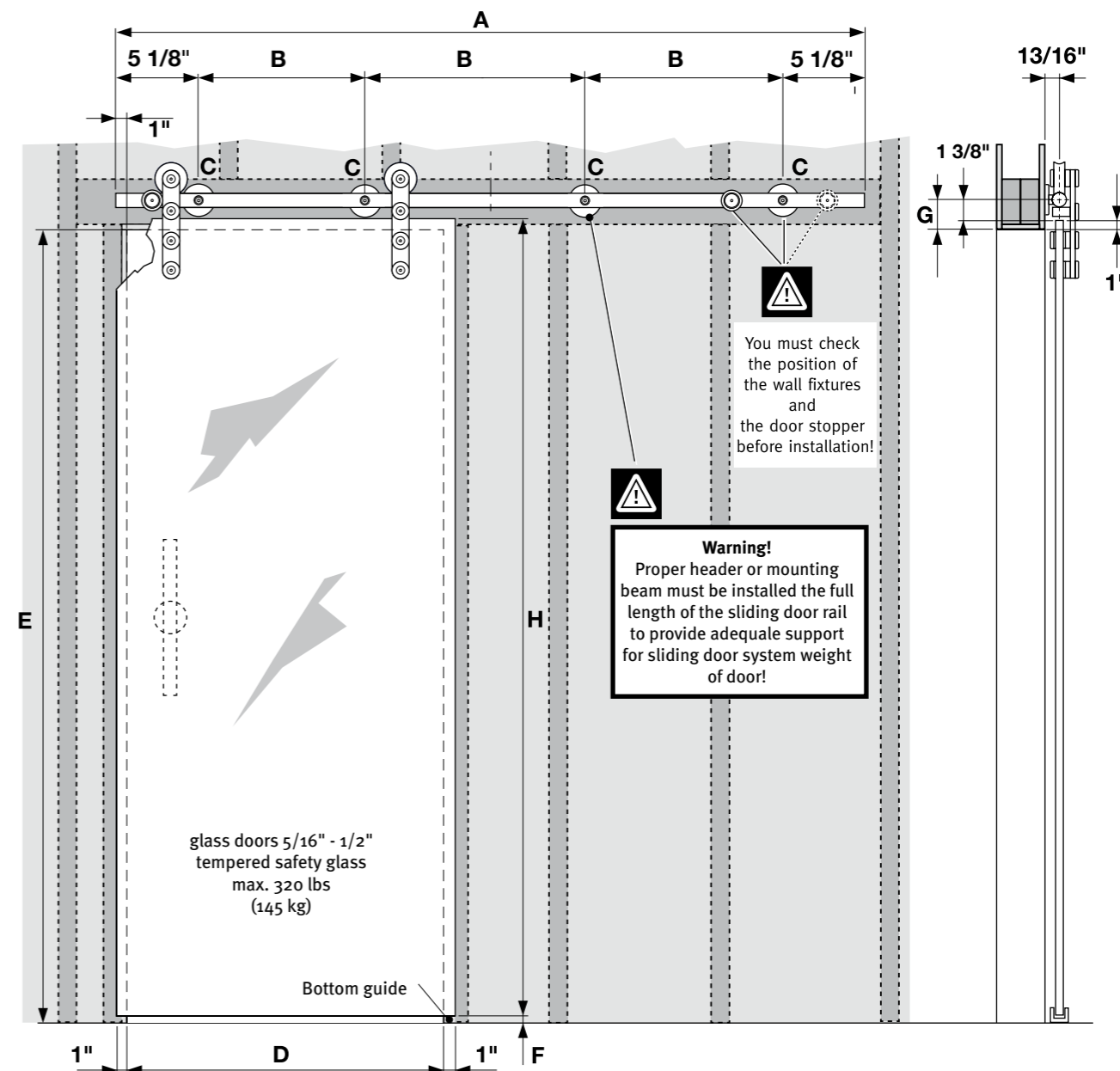


Beyerle US L.L.C.
5126 South Royal Atlanta Drive, Tucker, GA 30084
Phone (770) 349-6324, Fax (770) 934-3384, www.beyerle-us.com

Installation instructions

Sliding door fittings Flatec IV

for glass doors (5/16" - 1/2" thickness)



Complete-sets Also valid for polished version USU94-...EP

Set Flatec IV Artikel-No.	A inch	B inch	C Each	D inch	E max. inch	F inch	G inch	H max. inch (H=E-F+1")
USU94-1800EF	70 7/8"	20 1/4"	4	29 1/2" - 35 7/16"	98 7/16"	1/4"-3/8"	2 3/8"	99 1/8"
USU94-2100EF	82 11/16"	24 1/8"	4	35 13/16" - 39 3/8"	98 7/16"	1/4"-3/8"	2 3/8"	99 1/8"
USU94-2300EF	90 9/16"	20 1/16"	5	39 3/4" - 44 1/16"	98 7/16"	1/4"-3/8"	2 3/8"	99 1/8"
USU94-2540EF	100"	22 7/16"	5	44 1/2" - 49 3/16"	98 7/16"	1/4"-3/8"	2 3/8"	99 1/8"

Right to make technical changes reserved - Dimensions in inches - Version 03.2016
© by ABP-Beyerle GmbH



65_30_00.0164_USU94_MONT_US

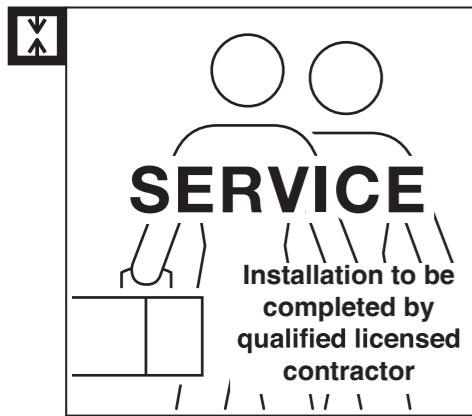


Fig. 1

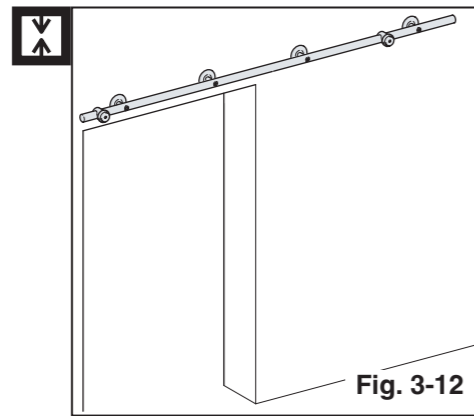


Fig. 3-12

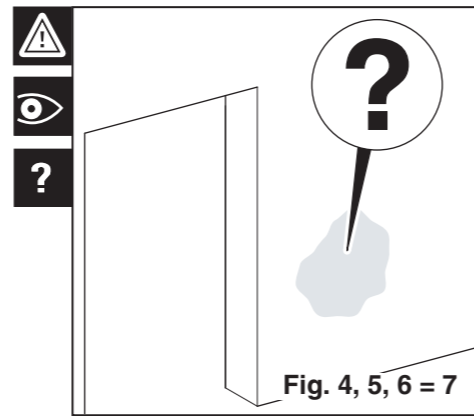


Fig. 4, 5, 6 = 7

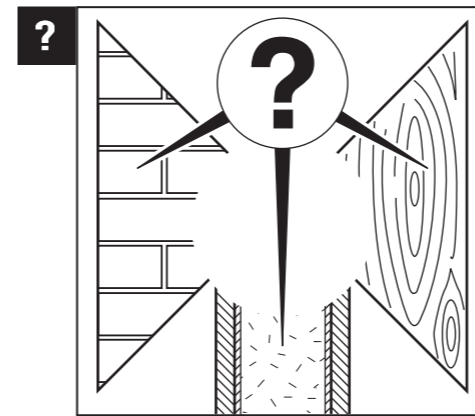


Fig. 4

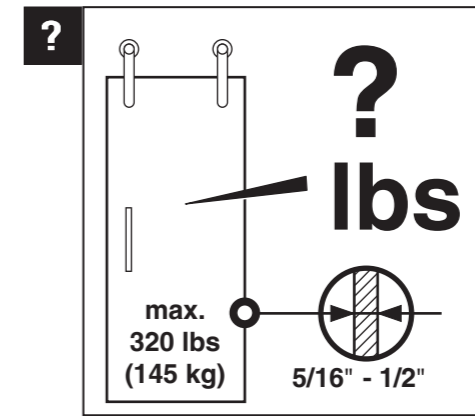


Fig. 5

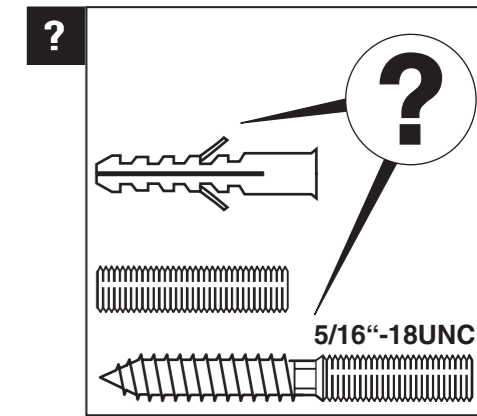


Fig. 6

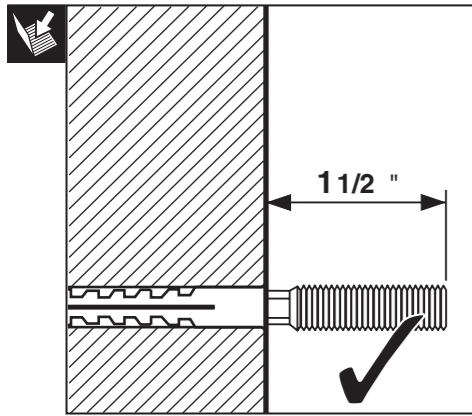


Fig. 7

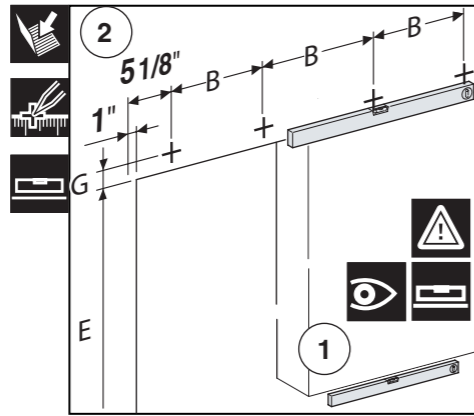


Fig. 8

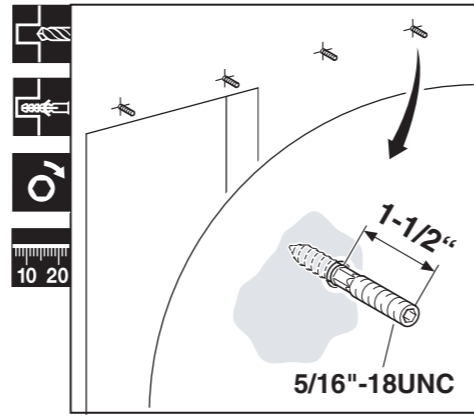


Fig. 9

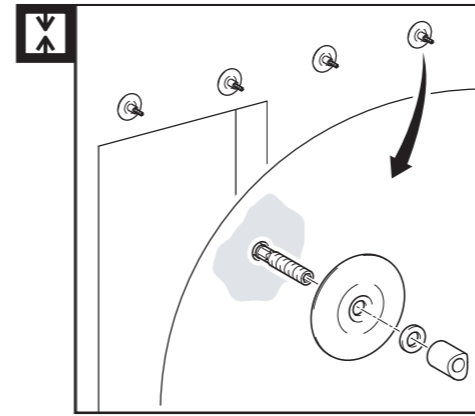


Fig. 10

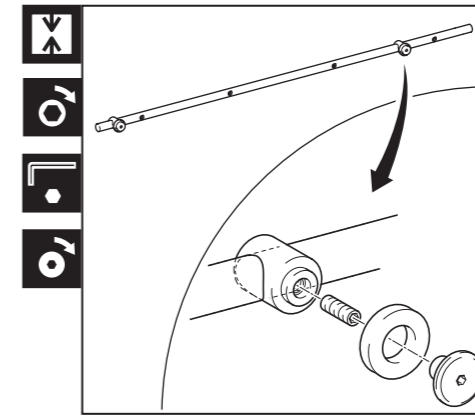


Fig. 11

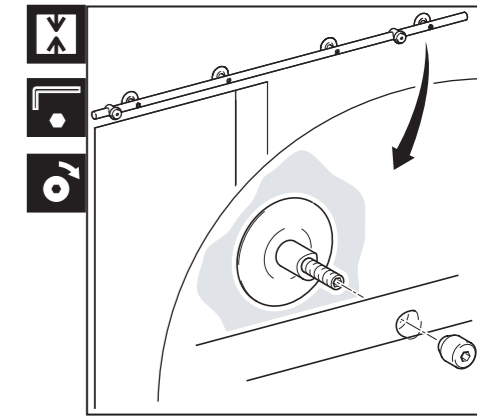


Fig. 12

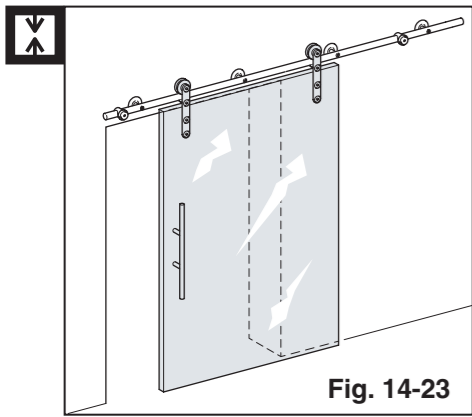


Fig. 14-23

Fig. 13

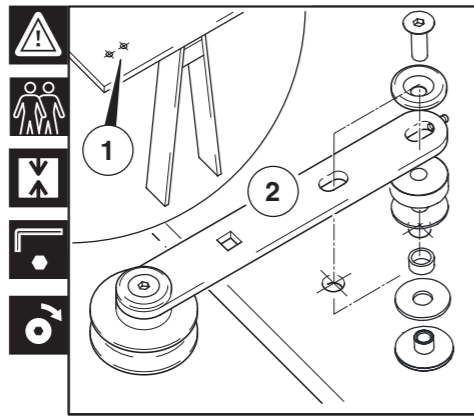


Fig. 14

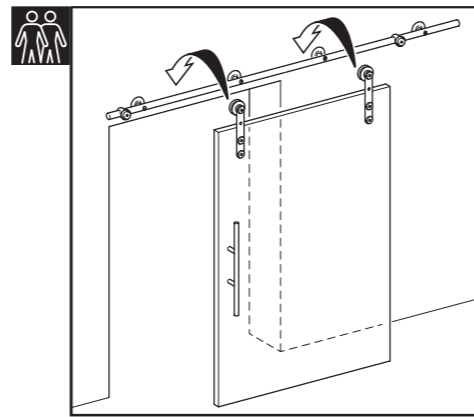


Fig. 15

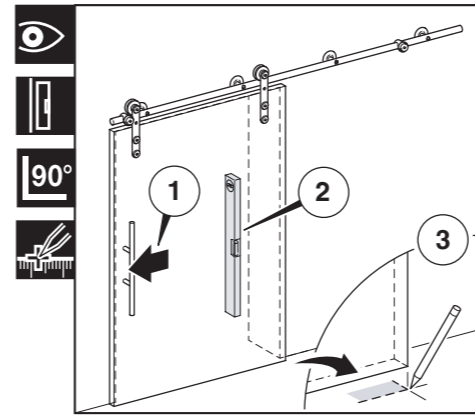


Fig. 16

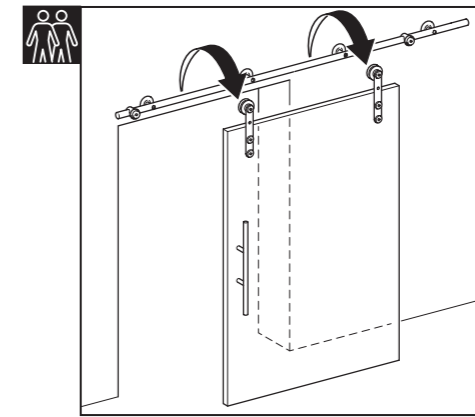


Fig. 17

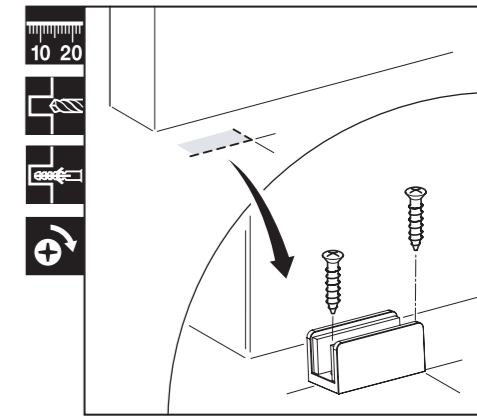


Fig. 18

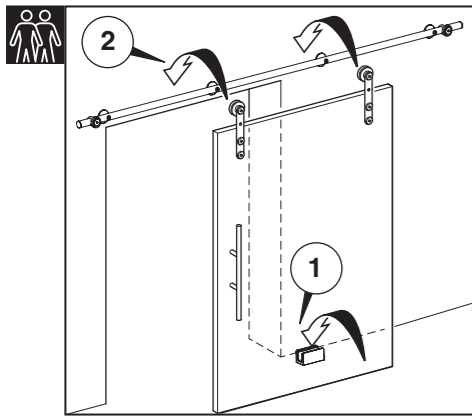


Fig. 19

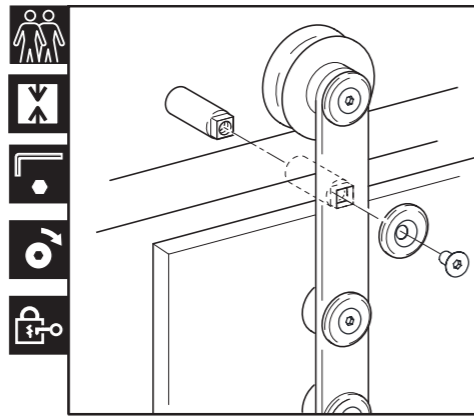


Fig. 20

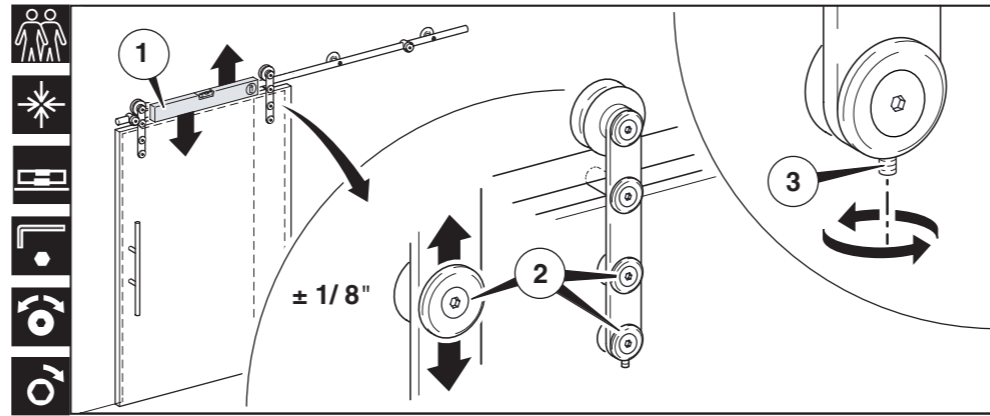


Fig. 21

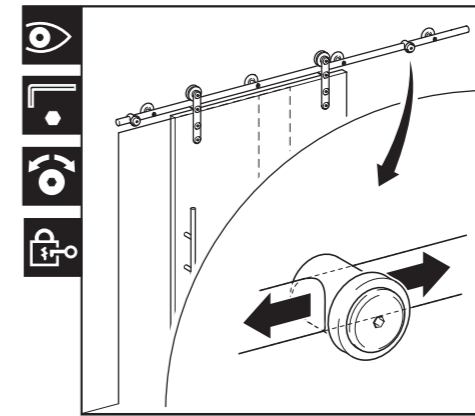


Fig. 22

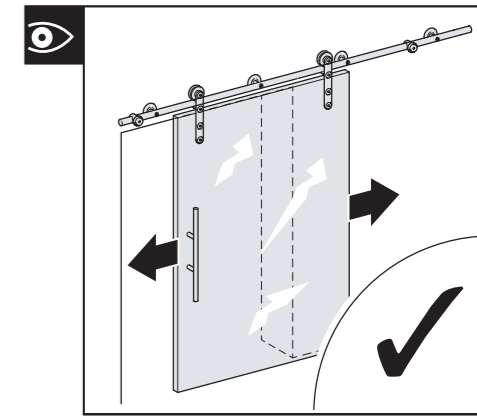


Fig. 23